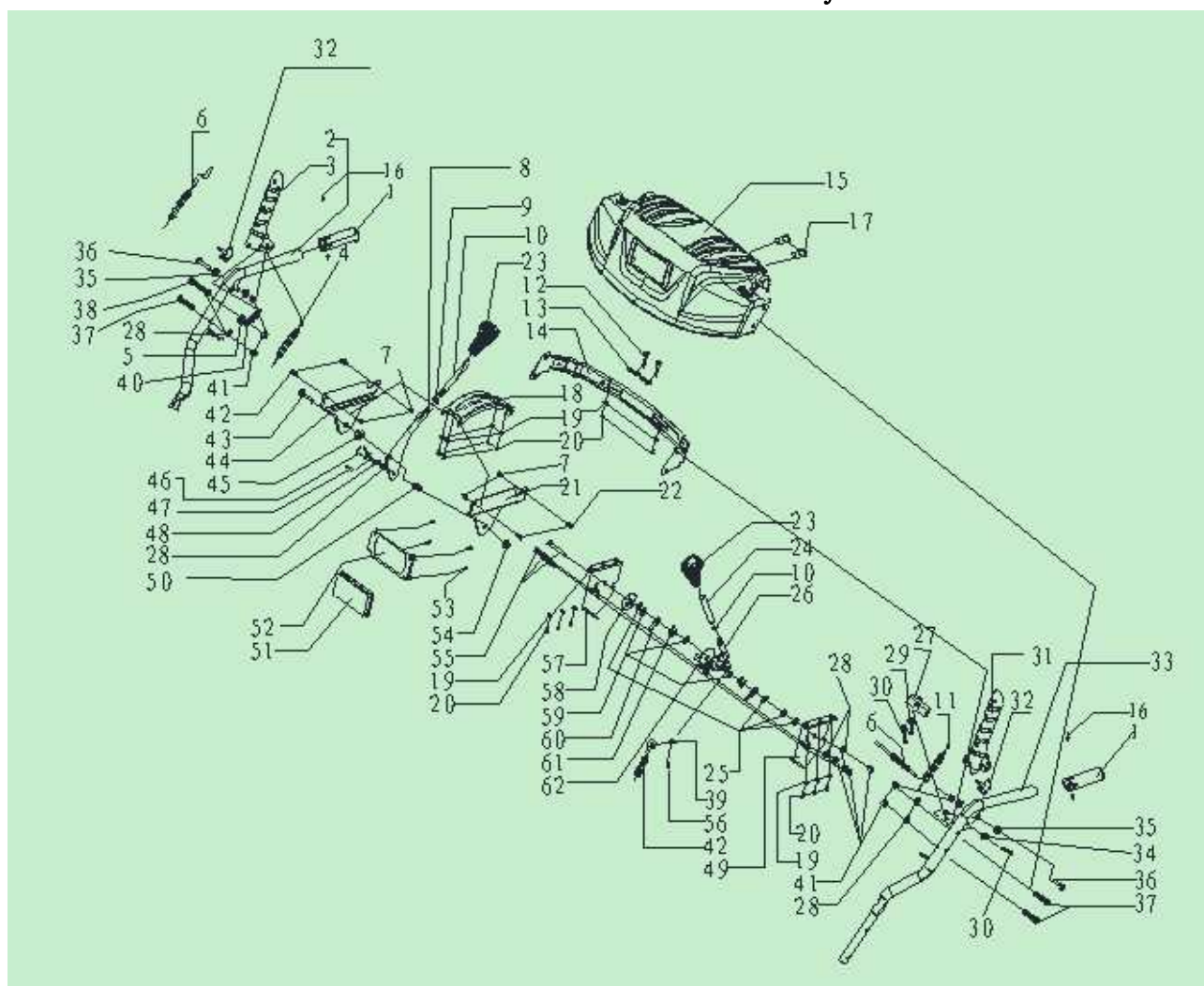


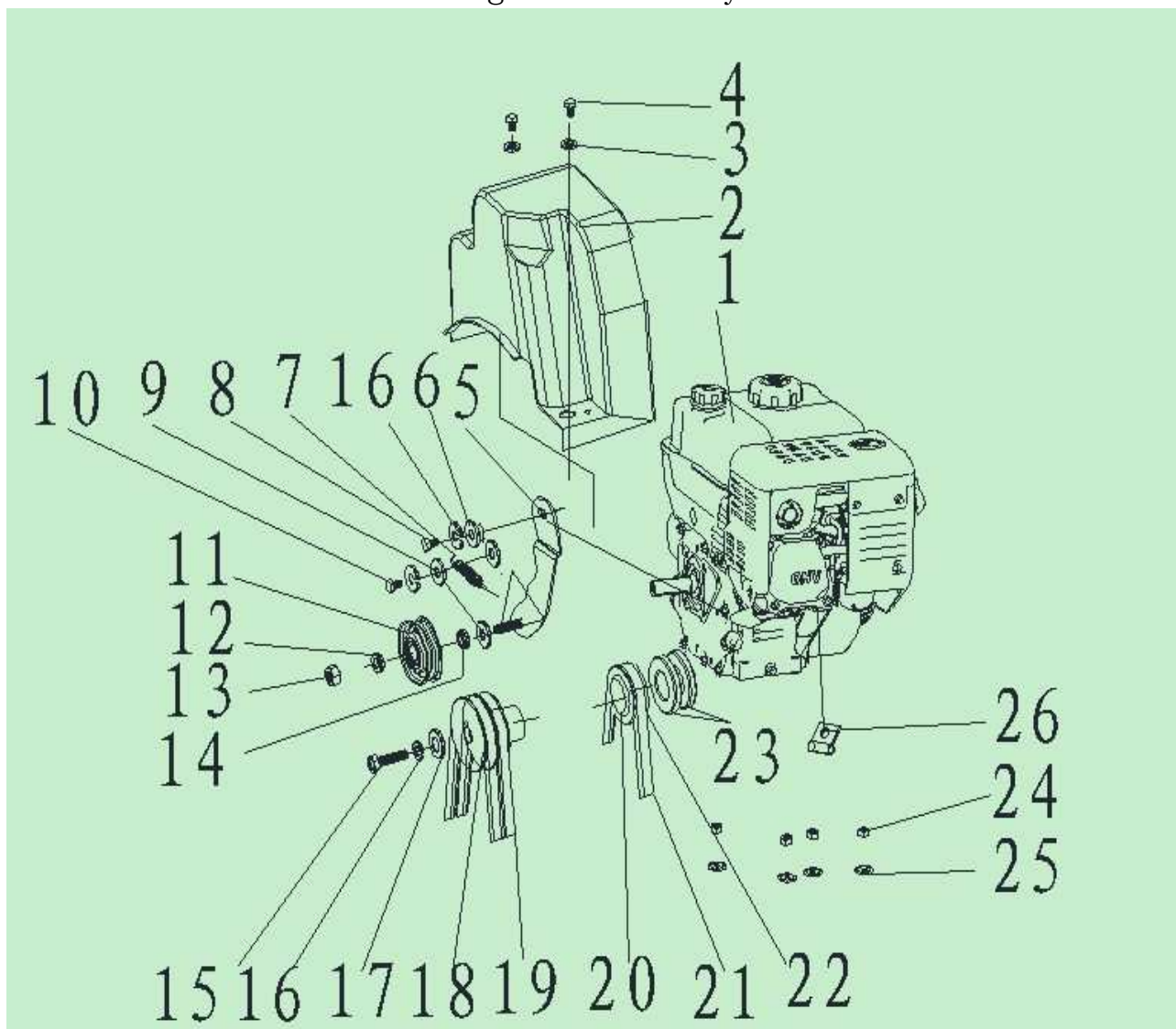
Handle and control assembly



No.	Code No.	Cormik Code	English name	Qty
1	SX-11-008		Warm handle	2
2	NF-002-R-B		Right handle welding components B	1
3	2012-SX-11-031-2		Right handle welding components 2012	1
4	SX-11-36B-3	XPR1136B3	Stepped cable	1
5	HFN-8		Flange nut	1
6	11-SX-11-36K	XPR1136K	Handle self-locking cable-2012	1
7	NHLN-6		Hexagonal locknut	4
8	NF-001-8		Gear plate welding assembly	1
9	SW-8		Spring washer	2
10	NF-001-13-2		Stepped gear extension bar	1
11	SX-11-036B-2	XPR11036	Auger cable-2012	1
12	NJ-01		Output shaft bolt	2
13	NJ-02		Pin	2
14	NF-001-5-02		Panel bottom plate	1
15	NF-010		Plastic panel	1
16	BE-4*12		Rivet	4
17	SA-011		01 switch	2
18	NF-001-15		Gear plate	1
19	FB-5*12*1		Flat washer	14
20	SHSS-4.8*16		Cross half round head tapping screw	12
21	NF-001-4-01		Gear fixed frame(1)	1
22	HS-6*12		Hexagonal screw	4
23	STG8062Ae-26	XPRSTG8062A	Gear shift handle	2
24	NF-001-13		Chute gear extension bar	1
25	FB-8*22*2		Flat washer	4
26	SJ-209		Adjusting rod welding assembly	1

No.	Code No.	Cormik Code	English name	Qty
27	2012-KEY-04		Self locking fixing seat	1
28	FB-8*16*1.2		Flat washer	8
29	SW-6		Spring washer	2
30	HS-6*18		Hexagonal screw	3
31	SX-11-31-4		Left clutch handle-2012	1
32	SJ-047-12		SJ rubber cap	2
33	NF-002-L-B		Left handle welding components-B	1
34	FB-6*12*0.7		Flat washer	1
35	SJ-046-1		Small tension plate pad	4
36	HS-8*55		Hexagonal bolt	2
37	HFB-8*40		Hexagonal bolt	3
38	HS-8*50		Hexagonal bolt	1
39	SJ-233		Cable pin	1
40	NF-001-14-3B		Clutch handle spring	1
41	NHLN-8		Hexagonal locknut	9
42	SX-11-36E	XPR1136	Chute cable	1
43	HS-10*45		Hexagonal bolt	1
44	NF-001-4-02		Gear fixed bracket(2)	1
45	FB-10*28*3		Flat washer	1
46	GPP6562C-01-07		Speed control handle upper conneting piec	1
47	OSP-2.5*25		Pin	1
48	GPP6562C-01-09		Speed control spring 1	1
49	NF-001-7		Left chute gear fixing bracket	1
50	STG11 (13) 70 (10) AE-02-02-08		Handle adjusting spring	1
51	L-620		Head lamp	1
52	STG8062AE-22		8hp lamp holder	1
53	CHSS-3.2*30		Cross recessed countersunk head tapping	4
54	NHLN-10		Non metal outside six angle locknut	1
55	HS-8*45		Hexagonal screw	3
56	OSP-2.0*29		Pin 2	1
57	NF-001-7-01		Right chute gear fixing bracket	1
58	SJ-223		Bowl-shaped gasket	1
59	SA-008		Saddle shaped gasket	3
60	SJ-224		Gourd shaped gasket	2
61	SJ-215		U shape gasket	2
62	SJ-210-1		Adjustable mounting plate 1	1

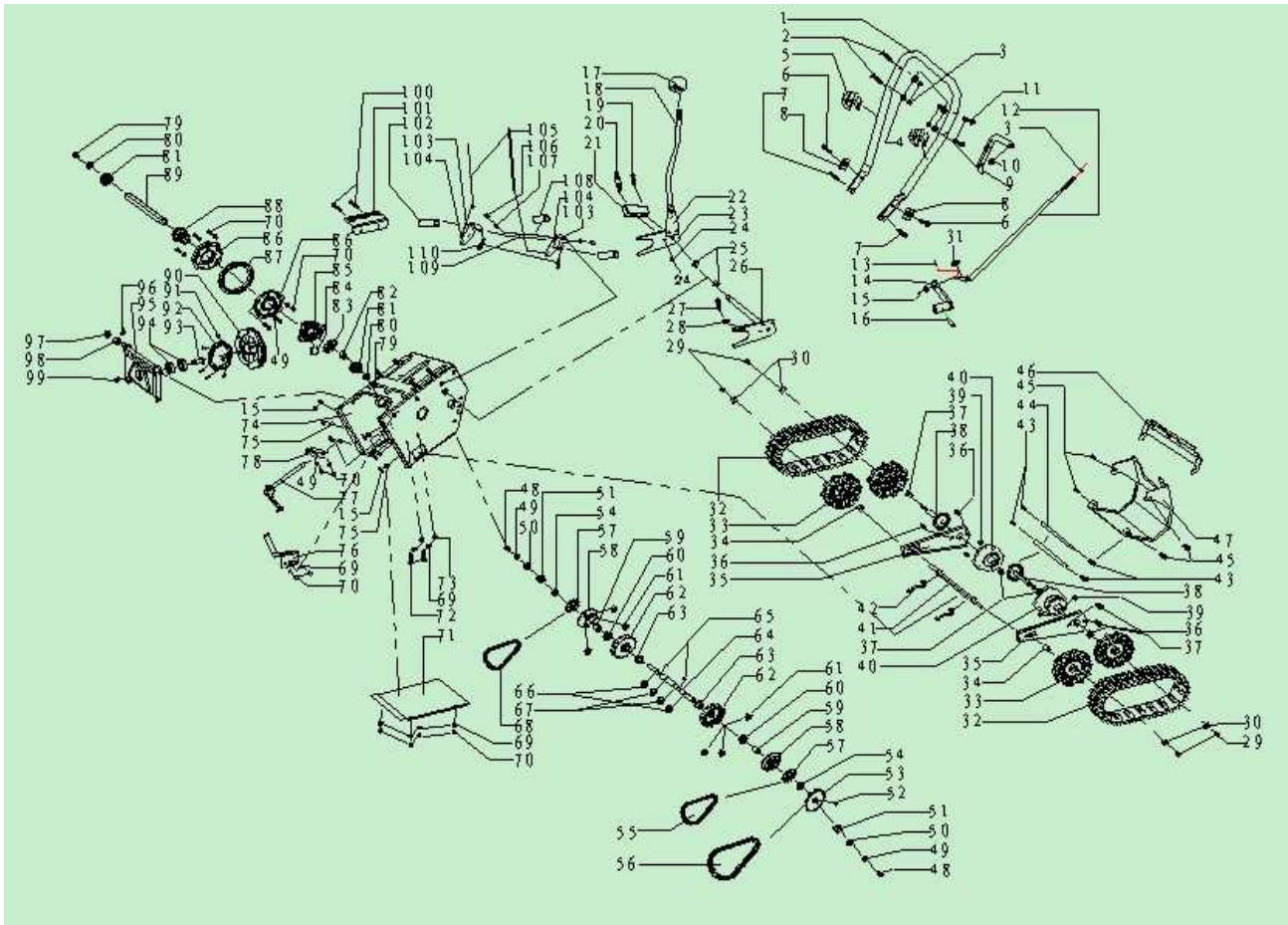
Engine assembly



No.	Code No.	CORMIK CODE	English Name	Qty
1	LC185		Engine	1
2	SX-11-180		Pulley cover	1套
3	FB-6*16*1.5		Flat washer	2
4	HS-6*12		Hexagonal screw	2
5	SX-11-173		Small tension plate	1
6	SJ-046		Small tension plate washer	1
7	SJ-035-1		SJ spring 3	1
8	HS-8*20		Hexagonal screw	1
9	FB-8*16*1.2		Flat washer	2
10	HS-8*20		Hexagonal screw	1
11	SX-11-170	XPR11170	Small tension wheel set(ball bearing)	1
12	SX-11-170B		Sleeve	1
13	NHLN-8		Non metal outside six angle locknut	1
14	SJ-008C		SJ washer	1
15	HS-8*35		Hexagonal screw	1

No.	Code No.	CORMIK CODE	English Name	Qty
16	SW-8		Spring washer	3
17	FB-8*28*3		Flat washer	1
18	SX-11-168A	XPR11168A	Main pulley	1套
19	LBV4L-930	XPR4930	V belt	2
20	SX-11-168C		Small belt wheel washer	1
21	TB-5M*825	XPR5825	5M synchr-belt	1
22	SX-11-168b	XPR11168B	Main synchr-wheel	1
23	FB-25*35*2		Flat washer	2
24	NHLN-10		Non metal outside six angle locknut	4
25	FB-10*20*2		Flat washer	4
26	FD-04-62		Cable support bracket	1

Driving assembly



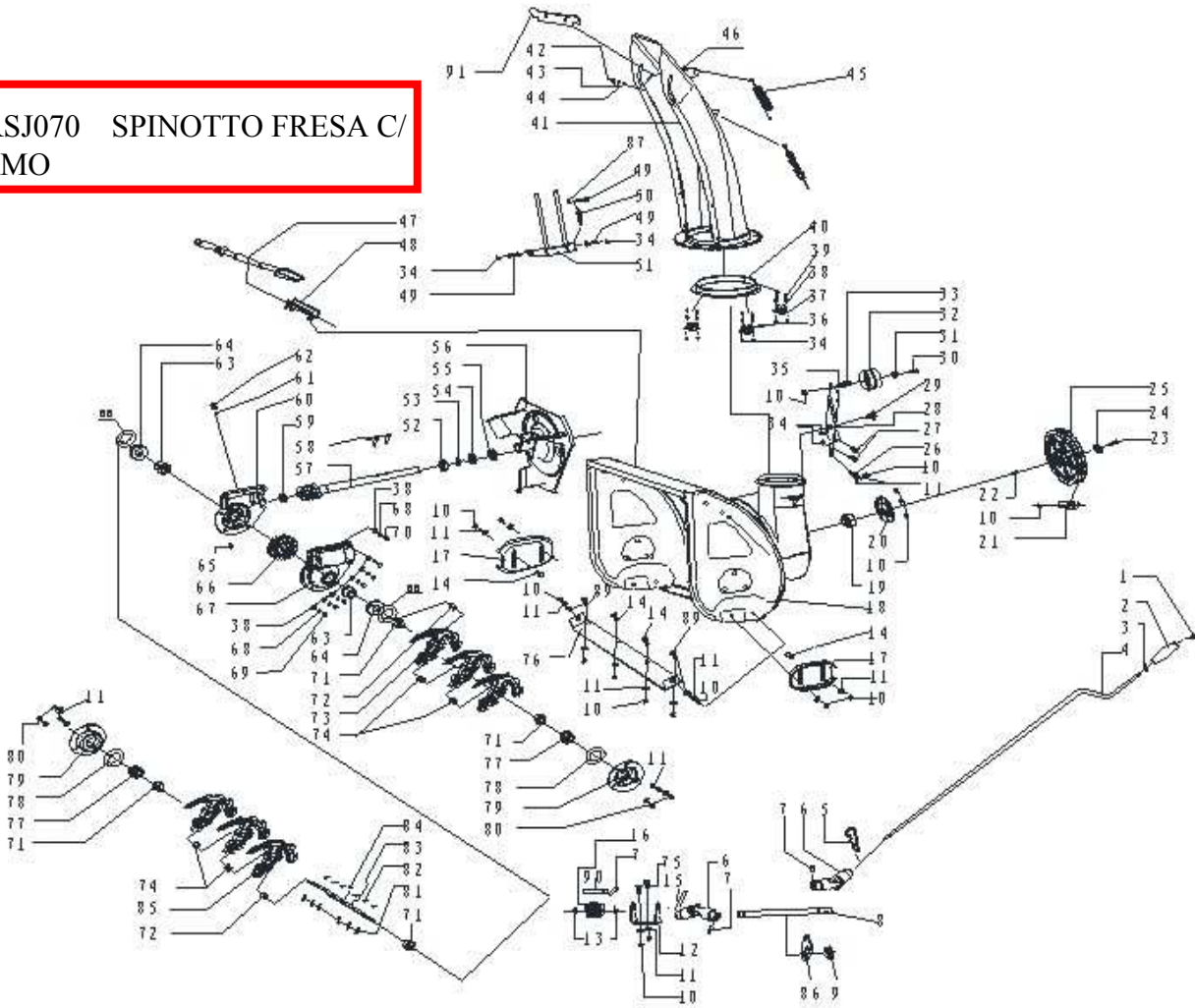
No.	Code No.	CORMIK CODE	English Name	Qty
1	SX-11-039		Handle underneath tube	1
2	NS-L8*40		Blade bolt	2
3	HFN-8		Flange nut	5
4	BG-8		Blade gasket	4
5	SSG5580A.23-01		28 wire clip	2
6	HFB-8*40		Hexagonal flange bolt	2
7	HFB-8*20		Hexagonal flange bolt	2
8	SJ-028		SJ handrail gasket	2
9	NF-20		Chute rocker holder-3	1
10	SJ-239		Helical tooth bracket rocker gasket	尼龙66
11	HFB-8*45		Hexagonal flange bolt	2
12	GPP6562C-01-08		Gears-engaging joint lever	1
13	CP-3.2*29		Split pin	1
14	STG11(13)70(10)AE-02-02-03		GPP shifting fork	1
15	FB-8*16*1.2		Gasket	7
16	FRP-6*30		Spring pin	1
17	SX-11-380		Handgrip ball(M12 screw)	1
18	SX-11-041		Fork rod-3	1
19	HFB-8*20		Hexagonal flange screw	1
20	SX-11-224		Fork rod bolt	1
21	SX-11-042		Block	1
22	SX-11-192		Fork rod-1	1

No.	Code No.	CORMIK CODE	English Name	Qty
23	SX-11-193		Fork rod plate	1
24	NHLN-8		Non metal outside six angle locknut	2
25	SX-11-184		Hexagonal shaft sleeve	2
26	SX-11-047-1A		Left fork rod	1
27	HS-12*60		Hexagonal bolt	1
28	NHLN-12-1		Hexagonal screw	2
29	NHLN-12-1		Non metal outside six angle locknut	4
30	FB-12*35*2		Flat washer	4
31	GPP6562C-01-09		Adjusting spring 1	1
32	SX-11-045	XPR11045	Track	2
33	SX-11-048	XPR11048	Belt wheel	4
34	SX-11-058		Front shaft sleeve	2
35	SX-11-051		Plate 3	2
36	SX-11-242		Track support bolt	4
37	SX-11-049		Shaft sleeve 3	4
38	SX-11-055B	XPR11055B	Rear chainwheel welding set	2
39	NHLN-8		Non metal outside six angle locknut	4
40	SX-11-052	XPR11052	Rear wheel shaft support	2
41	SX-11-054	XPR11054	Shaft 0	1
42	SX-11-053		Hook	2
43	HFB-8*20		Hexagonal flange bolt	4
44	SX-11-248		Rear wheel bracket support	2
45	HFB-8*12		Hexagonal flange bolt	4
46	NF-001-17		Wire holder	1
47	SX-11-254		Rear cover plate 2	1
48	HS-6*20		Hexagonal bolt	2
49	SW-6		Spring washer	2+8
50	FB-6*23*3		Flat washer	2
51	SX-11-059		Sleeve 2	2
52	FK-A5*22		Flat key	1
53	SX-11-061A	XPR11061A	Chain wheel 28teeth	1
54	FB-28*15*2		Flat washer	2
55	C-08A-28	XPRC08A28	Chain	1
56	C-08A-38	XPRC08A38	Chain	1
57	SX-11-062	XPR11062	Cluth 2-8	2
58	SX-11-063	XPR11063	Cluth 2-6	2
59	SX-11-064	XPR11064	Cluth 2-9	2
60	SX-11-067	XPR11067	Cluth 2-2	2
61	SX-11-066	XPR11066	Cluth 2-3	6
62	SX-11-068	XPR11068	Cluth 2-4	2
63	SX-11-069	XPR11069	Cluth 2-5	2
64	SX-11-070	XPR11070	Cluth 2-1	1
65	WK-3*3.7*9.5		Woodruff key	2
66	SR-14		Cluth jump ring	2
67	SR-16		Cluth jump ring	2
68	C08A-28	XPRC08A28	Chain	1
69	FB-6*12*0.7		Flat washer	8
70	HS-6*12		Hexagonal screw	12

No.	Code No.	CORMIK CODE	English Name	Qty
71	SX-11-186		Bottom cover plate	1
72	HS-6*35		Hexagonal screw	2
73	HFN-6		Hexagonal flange nut	2
74	SX-11-187		Transmission box	1
75	NHLN-8		Non metal outside six angle locknut	9
76	SX-11-149		Pulley mounting plate 1	1
77	GPP6562C-01-13		GPP shifting fork	1
78	SX-11-148		Vertical angle iron block	1
79	HFB-8*16		Hexagonal flange screw	2
80	FB-8*22*2		Flat washer	2
81	KBE-6203		Lock spring deep groove ball bearing	2
82	SX-11-184		Hexagonal sleeve	1
83	SX-11-183	XPR11183	Chain wheel	1
84	SR-35		Shaft ring	
85	SJ-013B		Gear shift pulley shaft cap	1
86	SJ-013A	XPRSJ013A	Gear shift pulley sleeve gasket	2
87	SJ-013D	XPRSJ013D	Rubber ring	1
88	SJ-013C	XPRSJ013C	Gear wheel	1
89	SX-11-156		Hexagonal gear shift shaft	1
90	SJ-010A	XPRSJ010A	SJ transmission synchronizing wheel	1
91	CHS-6*10		Cross-shaped screw	6
92	SJ-010A-1		SJ transmission synchronizing wheel cap	1
93	SJ-010B	XPRSJ010B	transmission synchronizing wheel shaft	1
94	BE-6203		Deep groove ball bearing	2
95	SJ-007		Belt wheel support	1
96	CP-3*25		Split pin	1
97	FB-13*24*2		Flat washer	1
98	SJ-107		SJ spacer bush	1
99	NHLN-10		Non metal outside six angle locknut	1
100	HFB-8*20		Hexagonal flange screw	2
101	SX-11-181		Gears-engaging plate	1
102	SX-11-191		Spacer bush 1	2
103	SX-11-091		Claw	2
104	SX-11-091A		Claw 3	2
105	NF-SX-11-36C	XPR1136C	Stepped clutch wire	2
106	HFB-8*12		Hexagonal flange screw	2
107	FB-12*25*2		Flat washer	2
108	SX-11-090		Spacer bush 3	1
109	SX-11-246		Clutch claw shaft	1
110	SX-11-094		Engagegear spring	2

Auger Housing assembly

XPRSJ070 SPINOTTO FRESA C/
FERMO



No.	Code No.	CORMIK CODE	English Name	Qty
1	HFB-6*12		Hexagonal flange bolt	1
2	SJ-018		SJ rocker sleeve	1
3	FB-10*20*1.5		Flat washer	1
4	NF-SX-11-075-1		Discharge chute rocker	1
5	STG11(13)70(10)AE-02-01-020		8 latch pin	1
6	SX-11-257		Cardan joint	2
7	OSP-4*16		Elastic cylindrical pin	3
8	SX-11-084-1		Discharge chute rocker 1-2012	1
9	SJ-239		Helical tooth bracket rocker gasket ring	1
10	HL-8	XPRHL8	Hexagonal locknut	18
11	FB-8*16*1.2		Gasket	20
12	SX-11-259-2		11hp helical tooth bracket -2012	1
13	SX-11-259-1		Helical tooth bracket gasket ring-2012	2
14	CB-8*16		Half round head square neck screw	4
15	CP-3.2*25		Split pin	3.2X25
16	SX-11-255-2		11hp helical tooth wheel-2012	1
17	SJ-111	XPRSJ111	Skid	2
18	28-SX-11-189L		Housing box	1
19	BE-SB204		Ball bearing	1
20	SJ-004		round bottom cap	1

No.	Code No.	CORMIK CODE	English Name	Qty
21	STG1310AE-02-06-01		Belt dam-board	1
22	FK-(B)6*6*20 (16)		Flat key	1
23	HS-8*20		Hexagonal screw	1
24	FB-8*28*2		Flat washer	1
25	SX-11-140	XPR11140	Main pulley	1
26	SJ-037	XPRSJ037	Spring 5	1
27	SJ-23-25		Tension bolt	2
28	SX-11-144-12		Tension plate 3-2012	1
29	SJ-050		Hexagonal screw 1	1
30	HS-8*45		Hexagonal screw	1
31	SJ-008C		SJ gasket	1
32	SJ-008	XPRSJ008	Tension pulley sets(bearing)	1
33	SJ-008B		Gasket sleeve	1
34	TB-6	XPRTB6	Hexagonal locknut	10
35	FB-8*16*1.2		Flat gasket	2
36	SJ-021		Discharge chute presser	3
37	SJ-021C		Discharge chute gasket	6
38	FB-6*12*0.7	XPR61207	Flat gasket	13
39	HS-6*20		Hexagonal screw	6
40	SJ-237		Discharge chute plastic gasket ring	1
41	SX-11-106-12	XPR1110612	11hp discharge chute helical tooth bar-2012	1套
42	CPS-5*12		Cross-shaped pan head screw	1
43	SJ-200-08		Discharge chute nylon gasket	2
44	TB-5		Non metal outside six angle locknut	1
45	SJ-226	XPRSJ226	Discharge tension spring	1
46	SX-11-105-1		Discharge chute cap assy-2012	1套
47	SJ-150		Plastic shovel	1
48	SJ-151		shovel pedestal	1
49	HS-6*16		Hexagonal screw	3
50	SJ-036	XPRSJ036	SJ Spring 4	1
51	SJ-012		Bending rod sleeve rod	1
52	RM-5HP		Lubricating nipple	1
52	BE-6904		Deep groove ball bearing	1
53	SJ-057		Space ring	1
54	BE-51104		Single direction thrust ball bearing	1
55	PS-32*20*7	XPR32207	Oil seal	2
56	SJ-001	XPRSJ001	fan	1
57	SX-11-114	XPR11114	Transmission worm wheel shaft	1
58	FRP-6*30`		Spring pin	2
59	BE-16001		Deep groove ball bearing	1
60	SJ-101	XPRSJ101	Bottom pedestal	1
61	WG-8		Lubricating nipple gasket plate	1
63	SJ-108		Output shaft sleeve	2
64	OS-30*19*7	XPR30197	Oil seal	2
65	CPS-5*10		Cross-shaped pan head screw	1
66	SJ-038	XPRSJ038	Worm wheel	1
67	SJ-101A	XPRSJ101A	Upper pedestal	1
68	EP-6		Spring gasket	7
69	HS-6*20		Hexagonal bolt	6
70	HS-6*25		Hexagonal bolt	1

No.	Code No.	CORMIK CODE	English Name	Qty
71	SJ-019		Driving shaft sleeve	12
72	28-SX-11-301		Output shaft sleeve 28-2	2
73	30-SX-11-125	XPR11125	Right auger	3
74	28-SX-11-300		Output shaft sleeve 28-1	4
75	CB-8*18		Half round head bolt	2
76	SX-11-132	XPR11132	Baffle plate	1
77	SJ-020	XPRSJ020	Shaft sleeve	2
78	FB-19*38*1.5		Flat gasket	2
79	SJ-024	XPRSJ024	Bearing cap	2
80	HS-8*10		Hexagonal bolt	6
81	NJ-01		Output shaft latch pin	6
82	NJ-02		Latch pin	6
83	28-SX-11-134		Output shaft	1
84	WK-5*7.5*19		Woodruff key	1
85	30-SX-11-135	XPR11135	Left auger	3
86	SX-11 (13) 70 (10) -02-01-19		Discharge chute rocker bracket	1
87	HFN-6		Hexagonal flange nut	2
88	FB-19*38*0.6		Flat gasket	2
89	CB-8*20		Half round head square neck screw	4
90	SX-11-84-3		Discharge chute helical tooth bar-2012	1
91	SX-11-400		Discharge chute rubber blanket-2012	1